

AVIGILON™

Video Intercom Reader Pro

Expandable Access Control for the Modern Workplace



Some hardware may show the Openpath logo.

OP-VID-PRO-INT

The Avigilon Video Intercom Reader Pro combines video security, an intelligent intercom, and Smart Reader into a single device with a modern, mullion form factor. Designed to enhance security with visibility, and improve the visitor experience, the Video Intercom Reader Pro is ideal for public and main entrances. Guests can use the intercom to initiate calls, communicate with assigned users, and are visually verified in the Openpath Mobile Access app. Associate video footage with access events, and monitor entries in the Avigilon Alta Control Center. The Video Intercom Reader Pro is a multi-technology reader that supports both low (125 kHz) and high (13.56 MHz) frequency RFID credentials.



Smart Intercom

Using the intelligent voice interface, visitors can initiate calls by user name, or ask to speak to a receptionist. Generate a virtual directory, accessible via a QR code, to enable visitors to view the building directory through a mobile browser.



Seamless Provisioning

Integrations with identity service providers, like Okta, Microsoft Active Directory and Google, to streamline end-user roll out when used with mobile credential provisioning. Supports remote unlocking with user-level privileges.



Clear Calls

Two-way audio streaming, with live video and echo and noise cancellation lets users easily communicate with and visually verify guests at the doors.



Fast, Reliable Mobile Access

Patented Triple Unlock with Bluetooth, WiFi and cellular data ensures reliable unlocks, with mobile credential options like Wave to Unlock, and mobile or watch app. Readers also support physical cards and fobs.



Increase Visibility, Improve Security

Associate video with access events or alerts and monitor entries from the Open Admin app or Control Center to validate activity. Reader height and adjustable camera angle ensures optimal view of person entering.



Secure and Fail Safe

Tamper-resistant design, with a built-in accelerometer to alert on physical tampering events. The reader features encrypted end-to-end communication and strong public-key cryptography to keep everything protected.



Easy Management and Monitoring

Software runs in the cloud for easy, secure access and remote monitoring, without the need for local servers. Built-in diagnostics and real-time troubleshooting insights streamline management.

Microsoft is a trademark of the Microsoft group of companies.

For more information, visit avigilon.com/access-control/video-intercom-reader-pro.

Specifications

Model: OP-VID-PRO-INT

Camera	Camera Resolution	5MP (2592 x 1944)	Image Sensor	1/2.5" 5MP CMOS
	Recording Rate	25 fps	Bit Rate	CBR, VBR, MBR
	Privacy Areas and Regions of Interest	Yes	Min. Illumination	Color: 2.5 lux B/W: 0.0 lux (IR LED on)
	Video Compression	H.264, MJPEG	Focal Length	2.8mm (F1.6)
	Night Mode	Infrared light for night vision	Anti-overexposure	Yes
		IR range: 9m (29.53ft)	Wide Dynamic Range	HDR (87dB)
	Field of View	Horizontal: 109° Vertical: 81° Diagonal: 136°		
Audio	Speaker	One 2W speaker		
	Microphone	Two built-in microphones		
	Noise Cancellation	Yes		
	Audio Encoding	G.711u, G.711a, G.726		
Intercom	Call Routing*	Direct Connect: Visitors call users by stating their name Front Desk Connect: Visitors call a group of users designated as the Front Desk Unit Connect: Visitors call one or more users by stating the unit or apartment number Visual Voicemail: Visitors may leave a voicemail to be seen by a site administrator		
	Virtual Directory	Print QR codes for visitors to access a directory on their mobile phone		
	Motion Detection	Detects activity and starts recording		
	Onboard Video Storage	10GB eMMC for network failover recording		
	Cloud Video Storage	30, 60, 90, and 180 day plans available		
	SIP Mode	SIP-enabled and Voice over IP (VoIP) calling on legacy systems		
	Other	QR Code Support**	Capable of reading and forwarding QR codes to third-party systems	

*Includes free licenses for 5 unique call recipients in an organization. Voice assistant license packs for 50, 100, and 500 call recipients may be purchased in Alta Control Center Administration.

**Enterprise or Premium subscription is required.

Compatibility

Mobile Credential	Bluetooth LE NFC (Android only) Wave to Unlock Apple® Watch® device (paired to iPhone® device)
High-Frequency (13.56 MHz) Cards and Fob Compatibility*	Avigilon DESFire® EV3 Smart Card Avigilon MIFARE® Classic 1K Fob MIFARE Classic, DESFire, Ultralight (ISO14443A) CSN
Low-Frequency (125 MHz) Card and Fob Compatibility	Avigilon Proximity Card Avigilon Proximity Fob HID® Proximity™, ProxCard®, LenelProx®

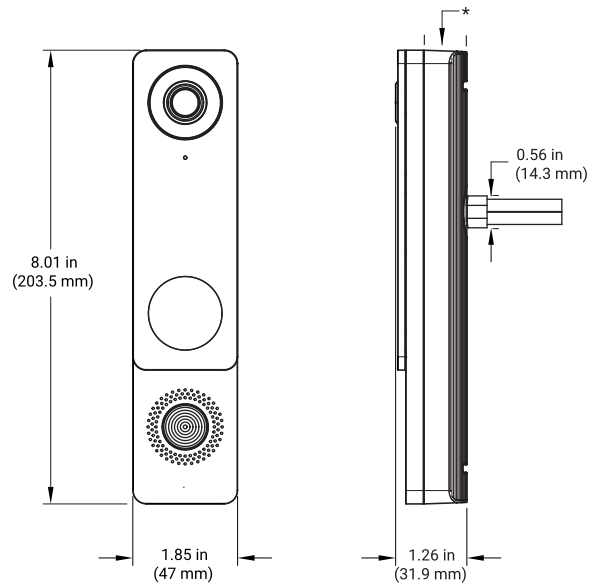
*The discontinued Openpath EV1 and EV2 cards are still compatible. The EV3-A card is still referred to as the Openpath DESFire EV3 Smart Card. Apple, Apple Watch, and iPhone are trademarks of Apple Inc., registered in the U.S. and other countries and regions.

General

LED Indicators	Video Intercom Reader Pro power on or off, user access granted or denied, entry or door locked or unlocked, provisioning and connection status to access control system
Wiring	Ethernet for network connection Note: The Video Intercom Reader Pro does not require a controller to be wired, however, a Smart Hub is required to support locking hardware.
Tamper	Accelerometer sensor to detect tamper events
Power	802.3af/at PoE , 10.8W power consumption

Dimensions

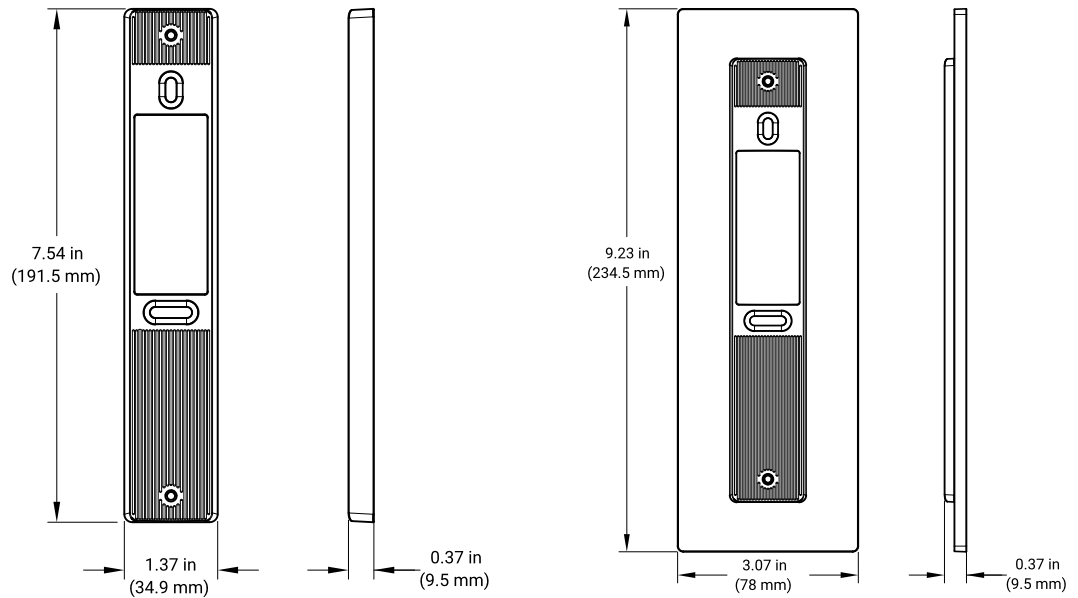
Device Only With cradle bracket*



Mounting Plate

Surface mount on wall

Standard mount on wall with US gang-box



Weight

0.85 lbs (384 g)

Environmental

Temperature	Operating Temperature: -40°C (-40°F) to 50°C (122°F); Cold start -25°C (-13°F) Storage Temperature: -40°C (-40°F) to 50°C (122°F)
Humidity	Operating Humidity: Up to 90% RH non-condensing
IP Rating	IP Rating: Indoor and outdoor IP65 (IEC 60529)

Operating and storage temperatures must not be exceeded.

Regulatory

Certifications	FCC (United States), IC (Canada), CE (Europe), UKCA (United Kingdom), NOM (Mexico), UL 294* *Performance Levels: Attack Level 1, Endurance Level IV, Line Security Level 1, Standby Power Level 1
Compliance	NDAA, TAA

Warranty

Avigilon Alta Access Warranty 5 years; for more information, visit [avigilon.com/support/warranty](https://www.avigilon.com/support/warranty)

Ordering Information

Part Number	Description
OP-VID-PRO-INT	Avigilon Video Intercom Reader Pro

Support

For more information, visit [avigilon.com](https://www.avigilon.com) or sales@avigilon.com for product support.

